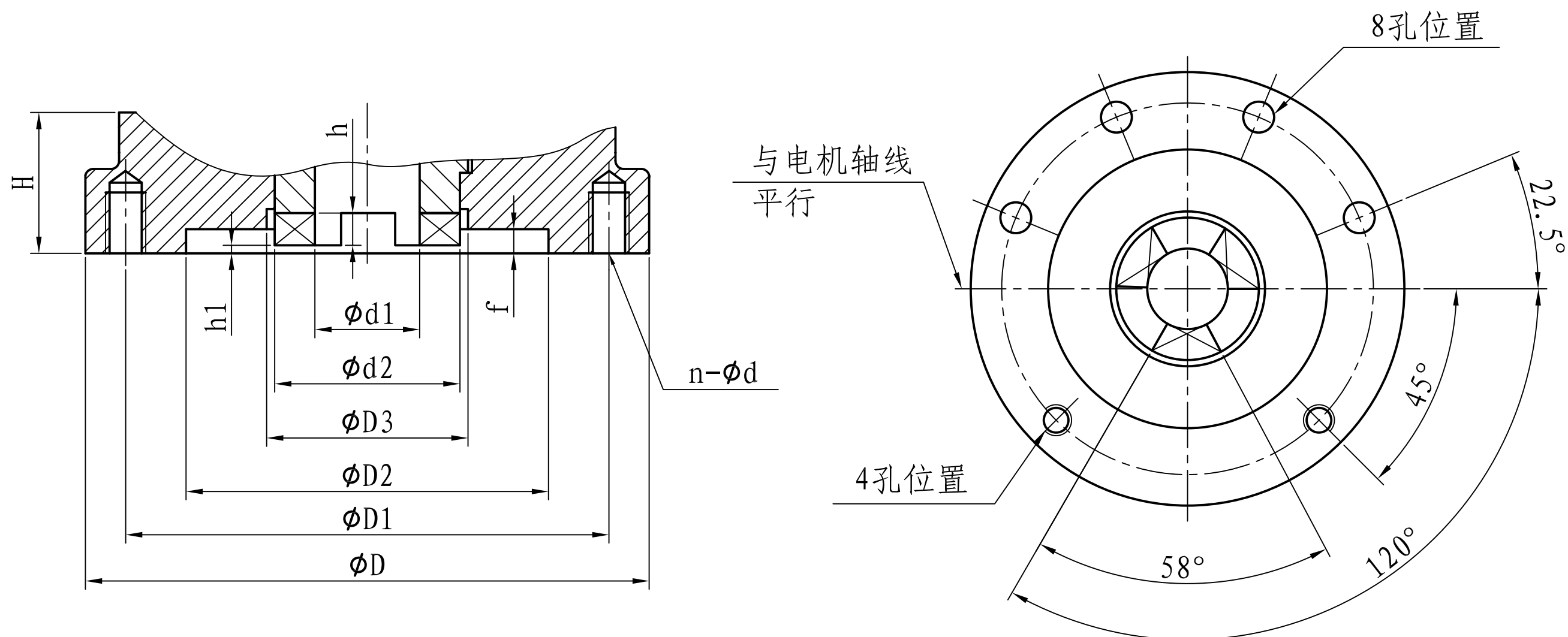


JB2920

SCD-03法兰连接型式及各部尺寸



尺寸 型号	法兰号	ϕD	$\phi D1$	$\phi D2$	$\phi D3$	$\phi d1$	$\phi d2$	h	h1	f	n- ϕd	H
SCD-03	JB2920 3#	185	160	$125^{+0.106}_{+0.043}$	65	42	58	10	2	6	4-M12	35
SCD-00	JB2920 4#	225	195	$150^{+0.090}_{+0.036}$	80	46	72	12	2		4-M16	40
SCD-0	JB2920 5#	270	235	$180^{+0.106}_{+0.043}$	92	58	82	14	2		4-M20	45
SCD-1	JB2920 7#	330	285	$220^{+0.122}_{+0.050}$	110	65	100	16	3		8	4-M24
SCD-2	JB2920 7#	350								8- $\phi 22$		190
SCD-3	JB2920 8#	380	340	$280^{+0.137}_{+0.056}$	140	80	120	20	3	8	8- $\phi 22$	190

注：表中未注明尺寸单位为mm